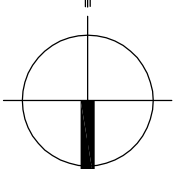


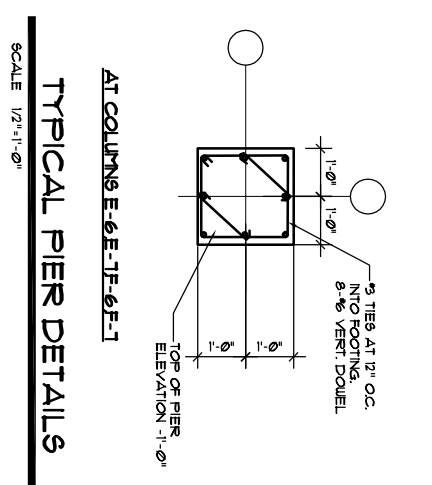
FOUNDATION PLAN

SCALE 1/8"=1'-0"



FOOTING SCHEDULE

MARK	DEPTH	LENGTH	THICKNESS	REINFORCING BARS
F1	3'-0"	3'-0"	3'-0"	NONE
F2	3'-6"	3'-6"	3'-0"	NONE
F3	6'-6"	6'-6"	3'-0"	NONE
F4	6'-6"	6'-6"	3'-0"	NONE
F5	1'-0"	1'-0"	1'-4"	3-#5
F6	8'-0"	8'-0"	1'-4"	3-#5
F7	8'-6"	8'-6"	1'-4"	0-#5 BOT
F8	3'-0"	3'-0"	3'-0"	NONE
F9	3'-6"	3'-6"	3'-0"	NONE
F10	3'-6"	3'-6"	3'-0"	NONE
F11	3'-6"	3'-6"	1'-8"	3-#5
F12	3'-0"	3'-0"	1'-8"	3-#5 BOT 1, 3-#5 TOP
F13	1'-6"	1'-6"	2'-0"	1-#5 BOT 1, 3-#5 TOP
F14	1'-6"	1'-6"	2'-0"	1-#5 BOT 1, 4-#5 TOP



NO.	DATE	REVISION DESCRIPTION
1	11/03/06	ISSUE FOR PERMIT

DATE	REVISION DESCRIPTION
04/05/06	
06-015	

