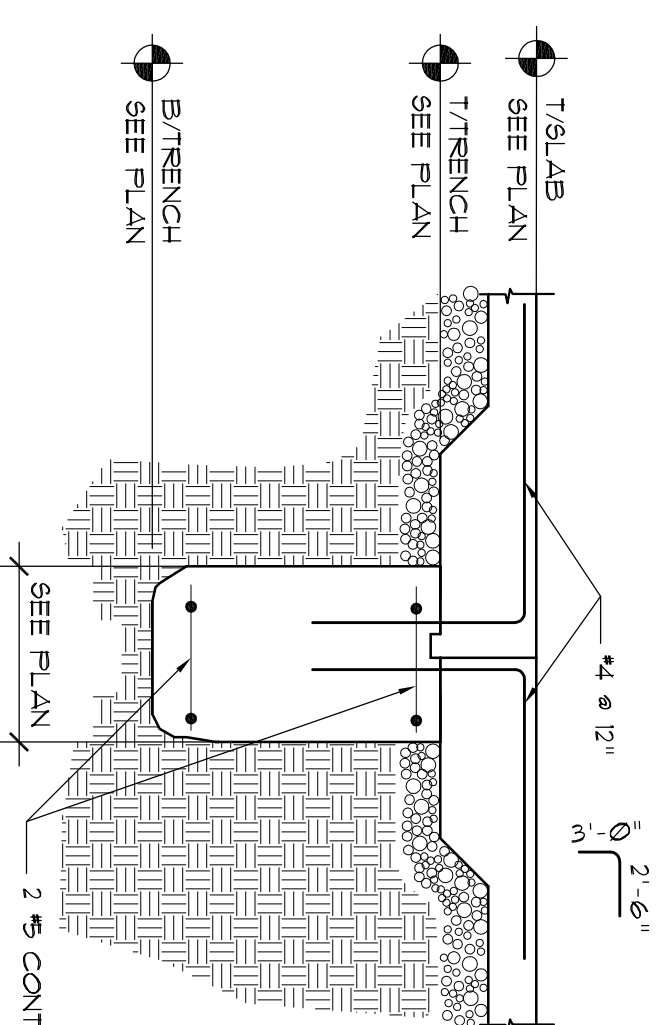
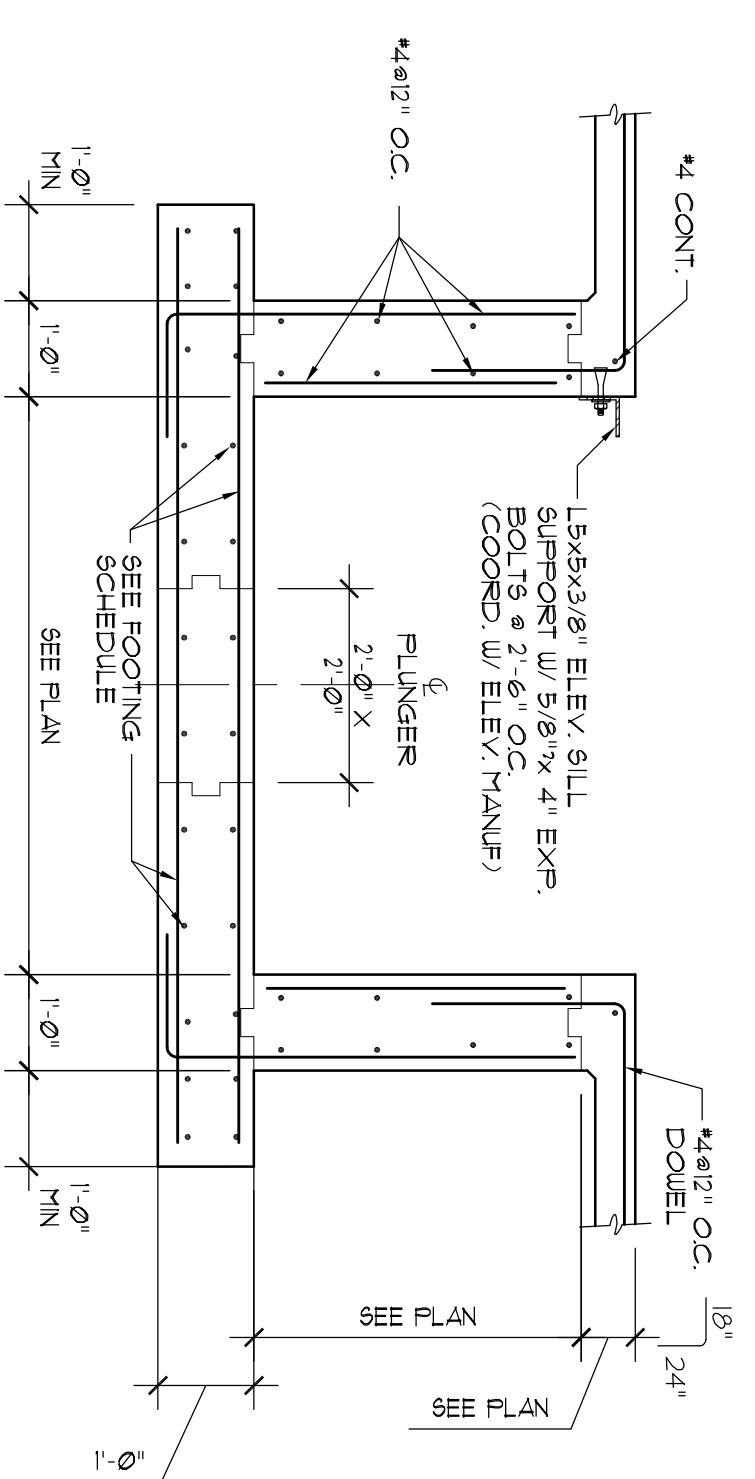


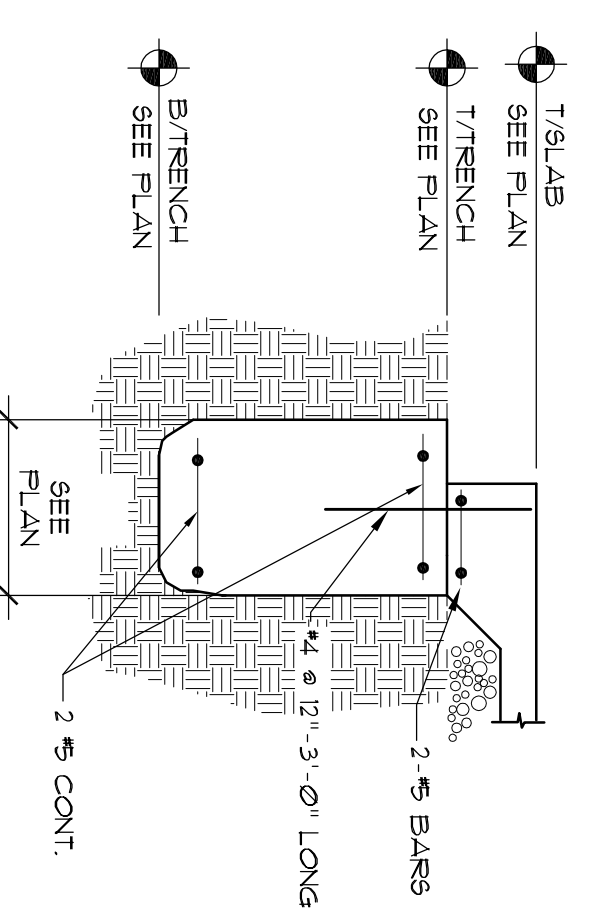
SECTION 1
SCALE 1/2"=1'-0"



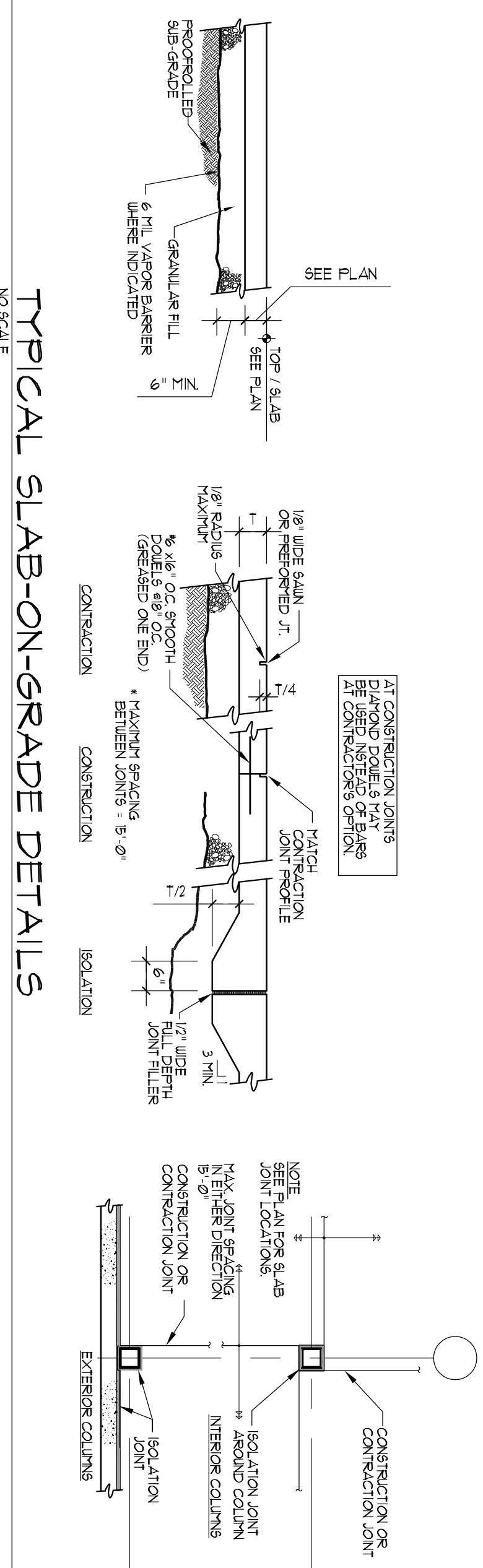
SECTION 2
SCALE 1/2"=1'-0"



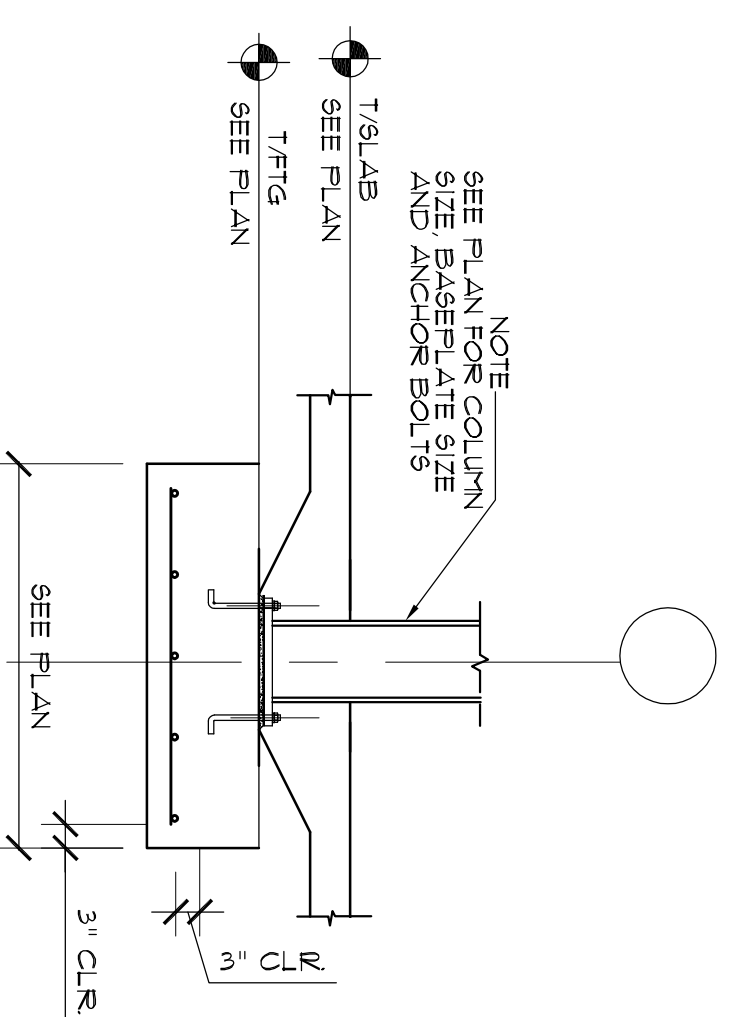
SECTION 3
SCALE 1/2"=1'-0"



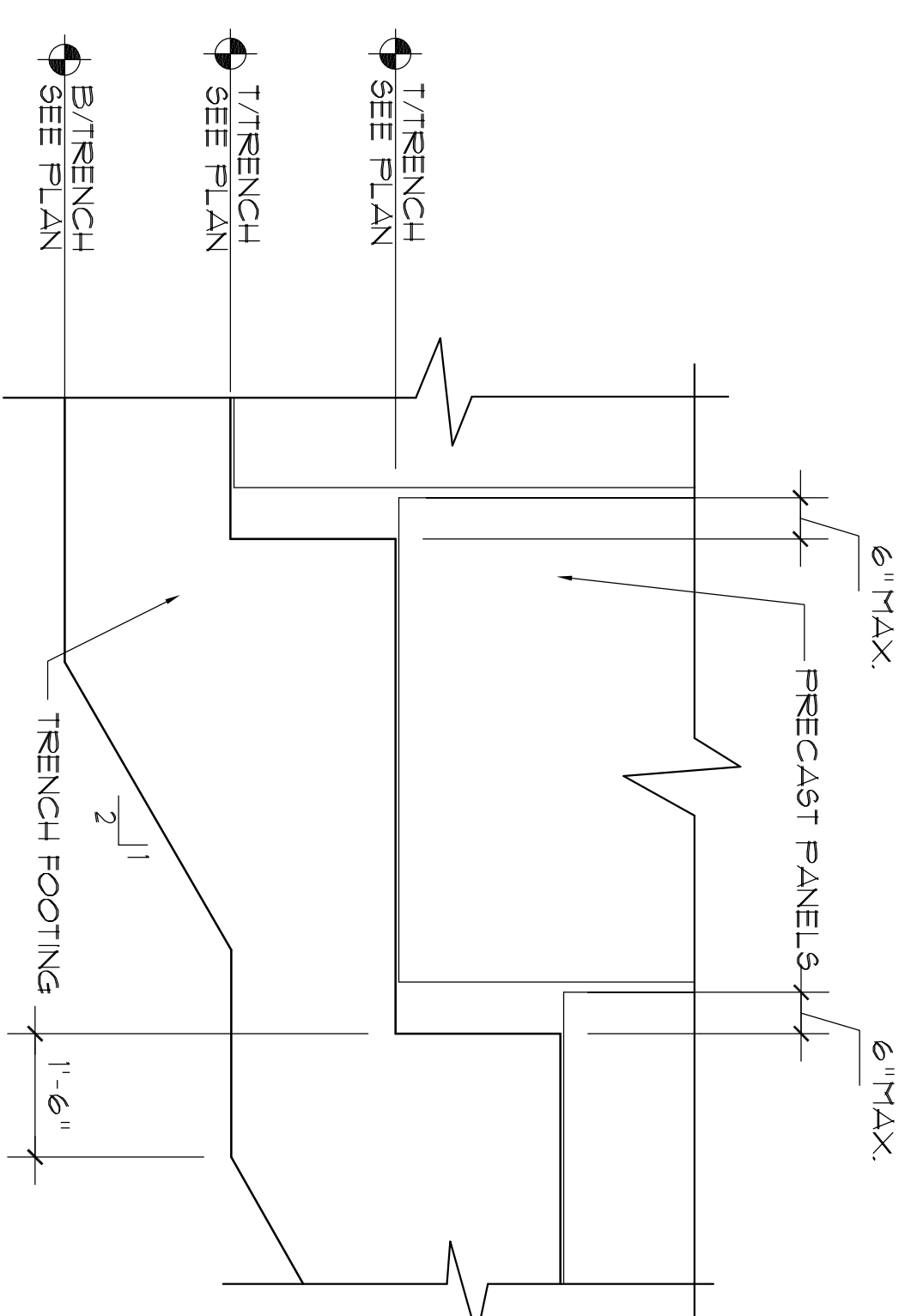
SECTION 4
SCALE 1/2"=1'-0"



TYPICAL SLAB-ON-GRADE DETAILS
NO SCALE



TYPICAL DETAIL 6
SCALE 1/2"=1'-0"



STEPPED FOOTING
SCALE 1/2"=1'-0"

TMA
Architects - Planners
Timothy Morgan Associates

270 Tristram International Center
Suite 1100
Litchfield Park, IL 60049
New York, NY 10022
847.374.0057 Fax
212.661.9122 Fax

© COPYRIGHT 2006
ALL RIGHTS RESERVED. THESE
DOCUMENTS MAY NOT BE
REPRODUCED IN WHOLE OR IN PART
WITHOUT THE EXPRESS WRITTEN
CONSENT OF Timothy Morgan Associates.

I hereby certify under oath that these plans were
prepared by me or under my direct supervision,
that I am familiar with the codes and ordinances of
the Village of Burr Ridge, and to the best of my
knowledge comply with the Building Ordinance,
Zoning Ordinance and other applicable codes and
ordinances of the Village of Burr Ridge, Illinois.

**MARS EQUITIES THREE STORY OFFICE
THE RIDGE - PHASE 2 - BUILDING 'C'
N.E. CORNER of HARVESTER DRIVE & FRONTAGE ROAD
ILLINOIS**

NO.	DATE	REVISION DESCRIPTION	NO.	DATE	REVISION DESCRIPTION
1	11/09/06	ISSUE FOR PERMIT			

DATE: 04/05/06
JOB NUMBER: 06-015

FOUNDATION DETAILS

SHEET NO. 52

EXP. DATE: 1/20/08
DATE: 11/09/06

STRUCTURE ENGINEERS
1000 W. WASHINGTON ST.
CHICAGO, IL 60607
PROFESSIONAL DESIGN FIRM
LICENSE NUMBER 194-00320
EXPIRATION 04/30/2007

